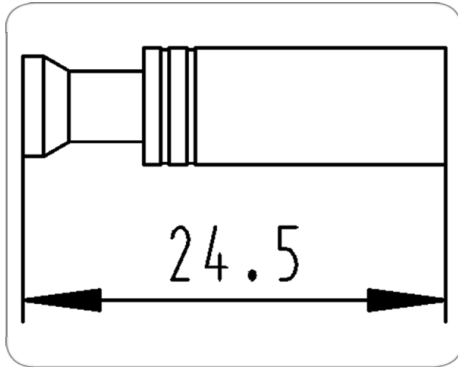




## 7P/12V contact (ISO 1724 - Type N / ISO 3732 - Type S)



Art.Nr.  
Part. No.

025277-3

Product group	Accessories, Socket, Contact
Industry	Cars, Agriculture
No. of poles	7
Voltage [in V]	12
Standard	ISO 1724 - Type N / ISO 3732 - Type S
Contact version	contact sleeve
Contact termination	crimp contact
Contact: for max. wire cross section [in mm <sup>2</sup> ]	4.0