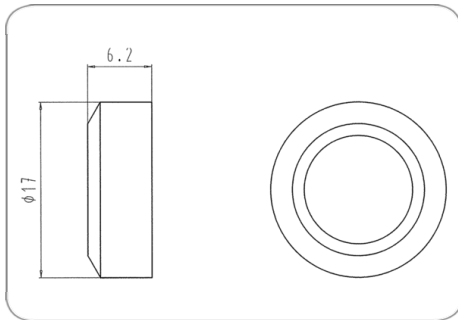




# DATAsheet

## 8P Seal (DIN 72580)



Art.Nr.  
Part. No.

057036

Product group	Lighting Installation Components, Accessories, Seal
Industry	Agriculture
No. of poles	8
Standard	DIN 72580
Type of seal	sealing ring
Suitable for	corrugated tube NW10