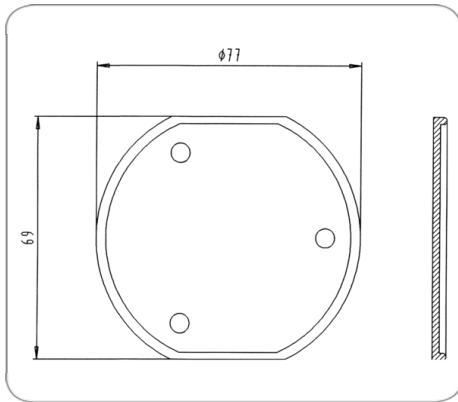




DATAsheet

13P/12/24V Seal (ISO 11446 / ISO 11446 - 24V version)



Art.Nr.
Part. No.

035320

Product group	Socket, Accessories, Seal
Industry	Cars, Commercial vehicles
No. of poles	13
Voltage [in V]	12, 24
Standard	ISO 11446 / ISO 11446 - 24V version
Design/Version	flat design
Type of seal	seal
Suitable for	parking socket