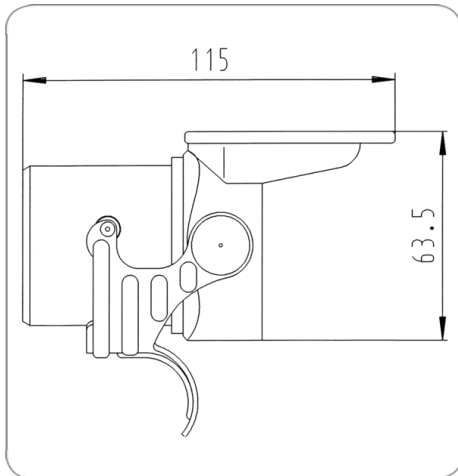




DATAsheet

13P/24V plug housing (ISO 12098 - 13P version ADR)



Art.Nr.
Part. No.

382043

Product group	Accessories, Plug
Industry	Commercial vehicles
No. of poles	13
Voltage [in V]	24
Standard	ISO 12098 - 13P version
Addition to standard	ADR
Protection	IP 54