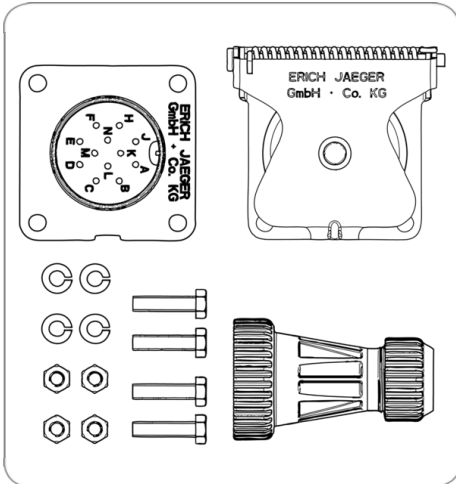




DATAsheet

12P/24V socket with pin contacts (VG 96923 A-12P / MS75021-1)



Product group	Socket
Industry	Defense vehicles
No. of poles	12
Voltage [in V]	24
Standard	VG 96923 / MS75021-1
Addition to standard	A-12P
NATO stock No.	5935-12-379-5149
Packaging	PE bag
Content of package	contact pins, cover cap F, end cap K, mounting set M6
Housing material	break-proof metal
Housing color	bronze green (RAL 6031-F9)
Cover material	proof metal
Cover color	bronze green (RAL 6031-F9)
Cable outlet	corrugated tube NW17
Contact version	contact pin
Contact surface	silver (Ag)
Contact termination	solder contact
Type of seal	screw cap
Protection	IP X7, IP 67

Art.Nr. 151150
Part. No.