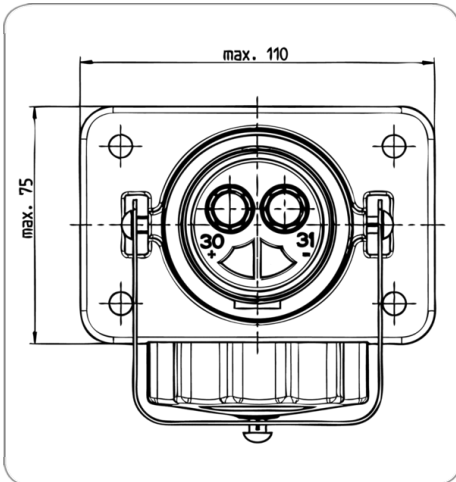




2P/24V(135A) socket (VG 96917)



Product group	Socket
Industry	Defense vehicles
No. of poles	2
Voltage [in V]	24
Rated current / permanent load [in A]	135.0
Peak current / short-term load [in A]	245.0
Standard	VG 96917
Branding	neutral/without logo
Packaging	PE bag
Content of package	solder/crimp contact sleeves (35mm ²)
Housing material	break-proof metal
Housing color	black
Cover version	screw cap
Cover material	proof metal
Cover color	black
Contact insert color	black
Contact version	contact sleeve
Contact surface	silver (Ag)
Contact termination	solder contact, crimp contact
Contact: for max. wire cross section [in mm ²]	35.0
Protection	IP X4,IP X7,IP 54

Art.Nr. 151302
Part. No.