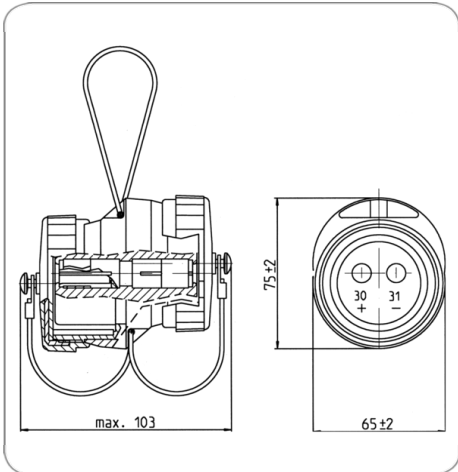




# DATAsheet

## 2P/24V(168A) coupler (VG 96917)



Product group	Socket, Coupler
Industry	Defense vehicles
No. of poles	2
Voltage [in V]	24
Rated current / permanent load [in A]	168.0
Peak current / short-term load [in A]	305.0
Standard	VG 96917
Packaging	PE bag
Design/Version	rubberized
Housing material	break-proof metal
Housing color	black
Cover material	proof metal
Cover color	black
Contact insert color	black
Contact version	contact sleeve
Contact surface	silver (Ag)
Type of seal	screw cap
Protection	IP X4,IP X7,IP 54

Art.Nr.  
Part. No.

301081