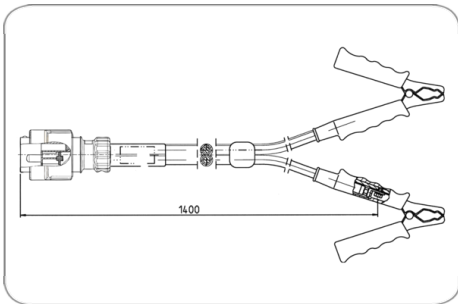




# DATAsheet

## 2P/24V cable (VG 96917)



Product group	Cable
Industry	Defense vehicles
No. of poles	2
Voltage [in V]	24
Standard	VG 96917
No. of connected plugs	3
No. of connected sockets	0
Design/Version	rubberized
Housing material	break-proof metal
Housing color	black
Contact insert color	black
Contact version	contact pin
Contact surface	silver (Ag)
Cable length [in m]	3.5
Cable color	black
Wire cross-sectional area	2x 35mm <sup>2</sup>

Art.Nr.  
Part. No.

651938