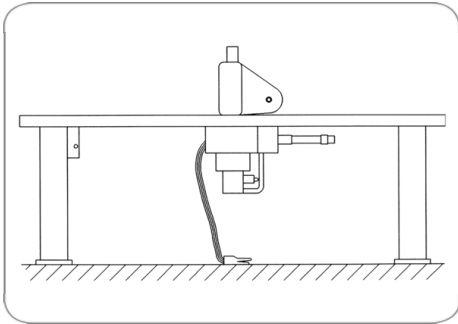




DATAsheet

Crimping table for serial production with pneumatic control system and floor contact



Product group

Crimping Tool, Accessories, Socket, Plug

Art.Nr.
Part. No.

361045