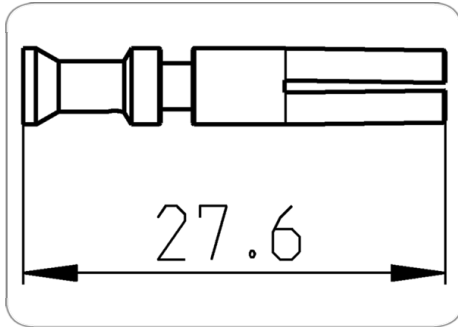




# DATAsheet

## 3P/6-24V contact (DIN 9680)



Art.Nr.  
Part. No.

027048-3

Product group	Socket, Accessories, Contact
Industry	Agriculture
No. of poles	3
Voltage [in V]	6-24
Standard	DIN 9680
Package unit	pieces
Contact version	contact sleeve
Contact surface	nickel (Ni)
Contact termination	crimp contact
Contact: for max. wire cross section [in mm <sup>2</sup> ]	1.5